

Model 5300 Twin-Tamp

Label Printer-Applicator



Adjacent-side print-apply labeling system.

Meeting Modern Warehouse Requirements

Weber's Model 5300 Twin-Tamp label printer-applicator combines a high-performance thermal/thermal-transfer label printer with a specially configured applicator to satisfy the printing and two-label, adjacent-panel application of carton labels in line.

Many large company now require identification labeling on two or more sides of a carton. With the 5300 Twin-Tamp, you can label two adjacent sides of a carton on one quick step. If you need to label all four sides, just add a second 5300 Twin-Tamp down the line to label every panel in less than 12 feet.

After a label is printed, it is automatically peeled from its liner and retained by vacuum on a non-contact, tamp-blow applicator pad. The tamp pad is mounted on a 90-degree rotary swing arm that reaches across a conveyor and blows the label to the front panel of the moving carton. Upon its return, a second label is printed and a separate straight-line stroke applies that label to the side of the carton to complete the cycle. Depending on label size, the system can maintain up to 40 cycles per minute at a placement accuracy of $\pm 0.03''$.

The system also can be configured to label side and rear panels, or single panels. And it easily adjusts to various conveyor heights and carton sizes when mounted on a heavy-duty stand.

Special Features

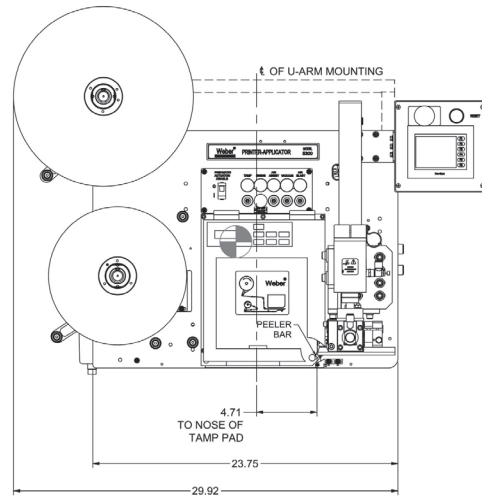
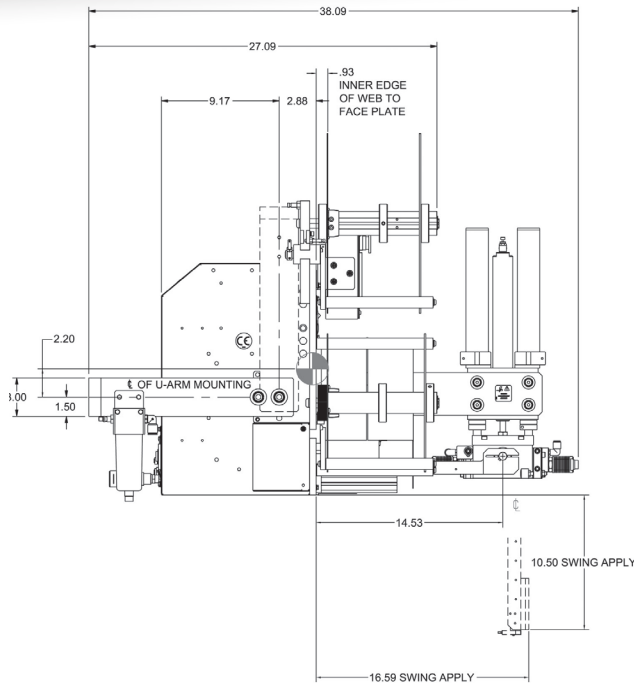
- Choose from a wide range of 203-, 300- and 600-dpi print engines from Zebra or Sato
- Thermal transfer or direct thermal printing
- Heavy-duty 24/7 usage
- Capable of handling print speeds up to 16 ips
- Numerous I/O's ease interfacing with external devices
- Monitor operation via a web browser
- Various tamp lengths and pad sizes available



Weber[®]
Packaging Solutions

Model 5300 Twin-Tamp

General Specifications



Dimensions

29.92" L x 38.09" W x 28.25" H
(75.9cm x 96.7cm x 71.8cm)

Weight

196 lbs. (88.9kg)

Electrical

115 VAC, 60 cycle, 5 amps; overload protection built in 220 VAC, 50 cycle optional

Air Requirements

3 cfm at 90 psi

Product Sensing

Photoelectric

Communication Interface

RS-232-C; Centronics compatible

Processor

Rabbit 3000 Microprocessor

Printing Methods

Direct-thermal and thermal-transfer

Print Resolution

203, 300 or 600 dpi, dependent upon print engine selected

Label Roll Size

Maximum diameter 13.75" O.D.
(350mm)

Labeling Speed

Contingent upon print engine and label size/content

Label Placement

Accurate to $\pm 0.03"$ (.76mm) when labels are produced to specifications and product handling is controlled and consistent

Labels

Die-cut, waste removed with 0.125" (3mm) minimum separation between labels in running direction and 0.125" (3mm) maximum web over label width; direct or thermal-transfer

Labeling Software Required

Weber Legitronic® software or compatible third party labeling software

Print Characters & Bar Codes

Text: Selection of fonts, including OCR-

A & B representation

Bar Codes: UPC-A/E, EAN-8/13, Code 39, I 2 of 5, Code 128, Codabar, MSI, 2 of 5, Code 93, UPC Bookland, Matrix 2 of 5, Postnet, UCC/EAN 128, PDF-417, Maxicode, Data Matrix (Text and bar codes can be rotated 360 degrees; horizontal and vertical character expansion)

Print Area

Up to 4.0" W x 6.0" L (101.6mm x 152.4mm)

Label Sizes

Minimum: 2.0" W x 1.0" L (50.8mm x 25.4mm)

Maximum: 4.0" W x 6.0" L (101.6mm x 152.4mm)

Optional Features

- Adjustable Stand
- Quick-change tamp pad
- Label-on-pad sensor
- Variable-height sensor
- Beacon alert lights