



MODEL 4050E-SL600 SERIES

Electric high-speed linear applicator for precise labeling

The **Weber Model 4050E-SL600** is designed with a consistent lightweight construction for inherently safe high performance without a protective barrier (CE compliance: CC). Flexible tamp suspension reduces pinch and impact hazards at the applicator. Collision sensor on the tamp suspension is standard (can also be deactivated).

STANDARD FEATURES

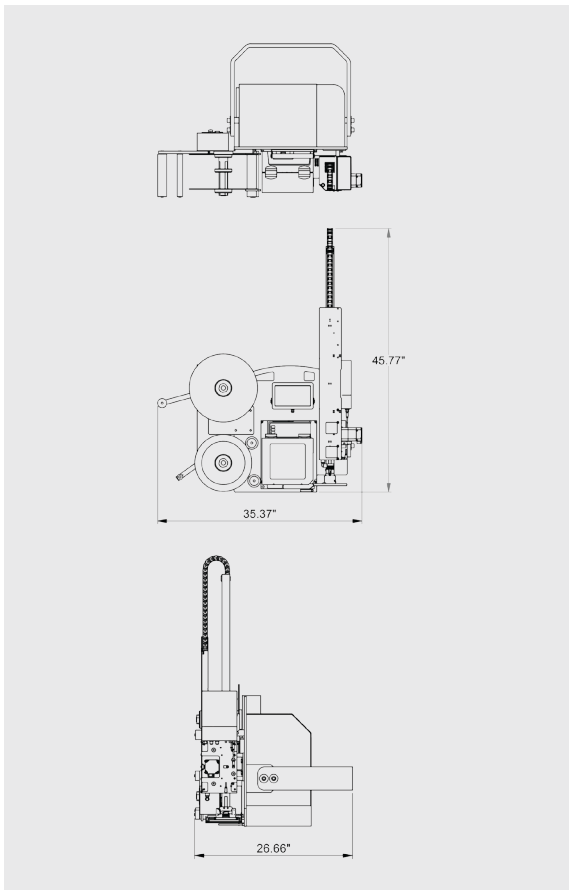
- + Consistent lightweight construction and intrinsically safe performance from entirely in-house production
- + Offered exclusively as a CC version (no protective barrier is required)
- + The quick-change function for the tamp is integrated as standard
- + Label Top and Side of products
- + Distance Measuring Sensor (DMS) allows maximum performance and precision when labeling varying height products

SAFE & EFFICIENT

- + CE conformity: CC
- + Applicator settings are adjusted via touch display
- + The start-up and stop ramp are programmable
- + High speed yet intrinsically safe (less than 4J and 50N)
- + Energy efficient (only 200W servo)
- + Easy access for maintenance and replacement



Scan here for more info



TECHNICAL DATA

- + **Dimensions (Tamp Home)**
 - 1173.0 mm H x 832.3 mm L x 668.0 mm W

- + **Weight (E-SL600 Model)**
 - 75 kg (without labels)

- + **Electrical**
 - 90/263 VAC/50-60HZ (1PH), 580W

- + **Pneumatic**
 - 6 Bar, up to 100 L/min

- + **Product Sensing**
 - 2 Photoelectric Sensors

- + **Label Roll Size**
 - Up to 13.75" O.D. (350mm)

- + **Stroke Reach**
 - 50 mm - 600 mm Full Stroke

- + **Label Range and Standard Tamp Pad Sizes**
 - 3D Tamp Pad with Quick Change
 - Min 100 mm W x 110 mm F
 - Max 120 mm W x 180 mm F
 - Customized tamp sizes optional within the specified tamp size range

- + **Label Styling**
 - Die-cut, waste-removed with a minimum of 0.125" (3mm) separation between labels in running direction

- + **Label Placement**
 - Accurate to ± 0.125 " (3mm) when labels are produced to specifications and product handling is controlled

- + **Labeling Speed**
 - Up to 38 labels per minute, full stroke, 4" W x 6" F label

- + **Labeling Software Required**
 - Print information needs to be sent to the print engine before label can be dispensed and applied

- + **Options**
 - Adjustable stand
 - Three-color stack light
 - Sato & Zebra print engines (203, 300 & 600dpi)
 - RFID print engine upgrade
 - I/O easy wiring terminal connection box

WEBER Packaging Solutions, Inc.

711 West Algonquin Road
 Arlington Heights / IL / 60005
 1.800.843.4242 / info@weberpackaging.com



WEBER Marking Systems Canada

6180 Danville Road
 Mississauga / ON / L5T 2H7
 1.800.265.9974 / info@webermarking.ca

