

Tronics Series 3

Overview



TRONICS™

Special Features

- Unprecedented product and labeling flexibility
- Front, back, wrap, top, bottom – anywhere
- Up to 2400 inches of labels per minute
- Quick set-up, changeover

For in-line speed and precision, the Tronics Series 3 from Weber Packaging Solutions is a system that addresses a wide variety of pressure-sensitive labeling applications.

The Series 3 is available in standard-, medium- and high-speed models. The systems apply front, back, wrap-around, top and bottom labels for the broad range of packaging markets – and for an even wider range of products and packages.

These ruggedly constructed, dependable systems can be configured to handle a diverse selection of package shapes and sizes. And the Series 3 can dispense and apply pressure-sensitive labels from .5 inches high and long to a full 10 inches high and 39 inches long.

Package Flexibility

All Series 3 label applicators are equipped with a 4.5-inch or 7.5-inch wide, 10-foot long heavy-duty conveyor and labeling heads that will accommodate up to a 9-inch wide label web (kits for larger labels are optional).

- **Product sizes** – From vials as small as 5ml to 10-gallon pails.
- **Product shapes** – Round, flat-sided, oval/contoured, plus unstable products like syringes, narrow cylinders/tubes, caps and more.
- **Product materials** – Plastics, paper products, metals, glass, rubber, ceramic, wood and more.

Label Flexibility

The Series 3 handles small labels and large, in varying shapes, and applies them to virtually anywhere on a product or package.

- **Label size** – From .5 inches high by .5 inches long, up to 10 inches high by 39 inches long.
- **Label application** – Front; back; top; bottom; wrap-around (up to 100 per cent); booklet; crescent-shaped (for tapered rounds); single label on two, three or four panels;

Label Applicator

corner-wrap; two adjacent sides; spot; tamper evident; neck; one, two or three labels on a round product; RFID and more.

- **Label materials** – All pressure-sensitive papers and films, with either paper or clear film liners.

Product & Label Changeovers

Series 3 pressure-sensitive labeling systems are extremely user-friendly and easy to adjust when changing products and/or labels.

Conveyor rails along with modules like labeling head(s), wrap-around belt, backing pad, overhead product hold-down and aligning chains all have tool-less adjustments, in addition to quick-reference rulers beveled into the shafts. These design functions provide reference points that ease system operation.

In addition, the Series 3 features simple electronics and advanced touch-pad controls that provide a number of unique advantages:

- **On-the-fly adjustments** – Any label head or module can be adjusted without stopping the system; the touch-pad provides the operator with adjustment options.
- **Job memory** – Up to 100 jobs can be stored in the system's memory to expedite changeovers.
- **Durability** – The system's sealed interface provides protection in chemical and other industrial environments.
- **On-board software** – The Series 3 communicates with all popular PLCs, including Allen-Bradley and Omron. All software for any possible upgrade or option is pre-loaded; no downloading of proprietary software is required.

Variable date/lot code functionality

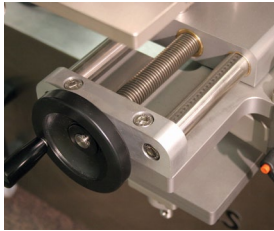
Tronics Series 3 labeling systems from Weber also include an array of miscellaneous features, including batch counting, real-time products-per-minute display, total products labeled, additional inputs and outputs for missing/low label and for integration with PLCs on other packaging and handling equipment.

Tronics Series 3

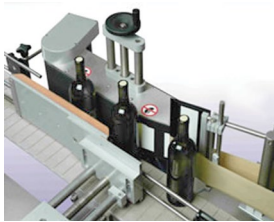
General Specifications



Touch-pad controls



Horizontal gradient reference

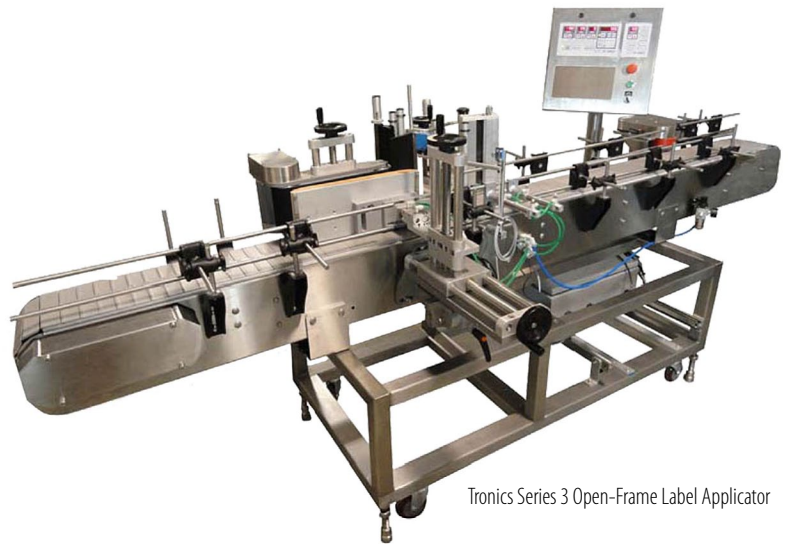
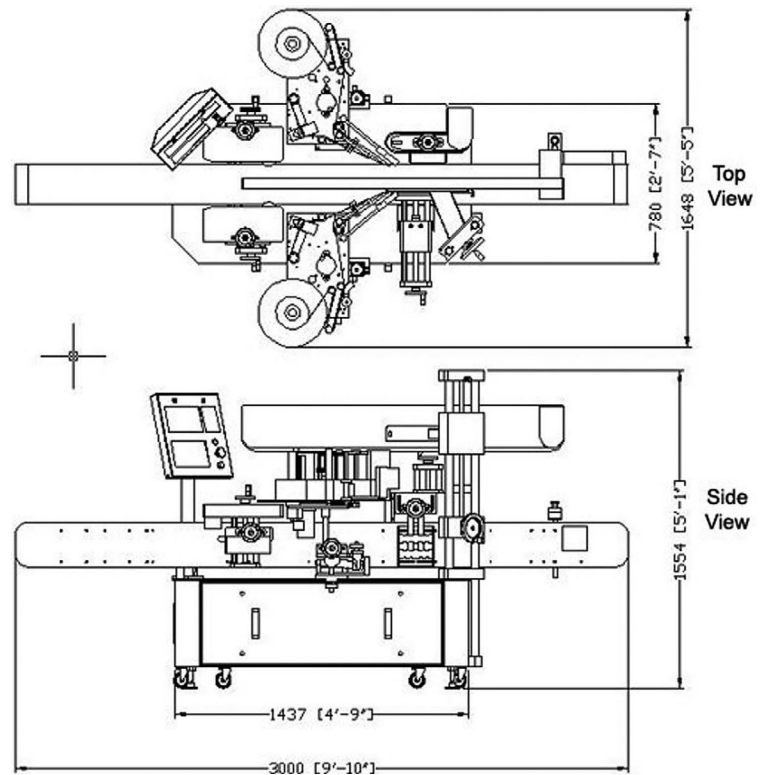


Wrap module



Aligning chain module

Label Applicator



Tronics Series 3 Open-Frame Label Applicator

Electrical

110 volts, single-phase, 20 amps
(220 volts, single-phase per request)

Air

None required (except for special upgrades)

Weight

Approximately 1,200 lbs

Accuracy

±0.03" (subject to sample testing)

Maximum Label Height*

8.5" high (for wrap applications, up to 5.5" high, 12.5" long)

Maximum Speed**

1,200" of label per minute, per label head (wrap speed is 600"/min)

* Label heads and wrap modules that accommodate labels greater than 8.5" high, 12.5" long are available

** High-speed upgrade available at up to 2,400"/minute (1,200"/minute wrap speed)