

HERMA H400

Tamp-Blow Label Applicator

Tamp-Blow

Overview



Special Features

- Non-contact, tamp-blow label application
- Applies pressure-sensitive labels up to 6" wide
- Controllers and operating display are built-in; no separate control required
- Special unwind unit provides consistent web tension

Weber HERMA H400 tamp-blow system provides speed and precision in a non-contact label applicator.

This pressure-sensitive label applicator is a Weber exclusive. We've adapted the proven tamp-blow module from our Model 4300 label printer-applicator and integrated it with the robust HERMA H400 label applicator.

The result is a proprietary, Weber HERMA H400 labeler that applies pressure-sensitive labels without contacting a product or package, making it ideal for fragile substrates and for positioning labels inside recessed surfaces.

Utilizing tamp-blow technology, each label is peeled from its liner and is retained by vacuum on the unit's tamp pad. When a product is sensed by the system's photoelectric eye, the pad is extended and the label is blown onto the package from approximately 0.25".

The Weber HERMA H400 applies labels up to 6 inches square to a maximum of 1230 inches of label web per minute. Several standard tamp-pad sizes are available and easily can be swapped to accommodate different label dimensions.

Additional Features

- Right- or left-hand configurations
- Easily connects to PLCs
- Handles transparent labels without incident
- Zero downtime with two machines
- Multi-language operator's interface
- Input and outputs signal for external control and monitoring



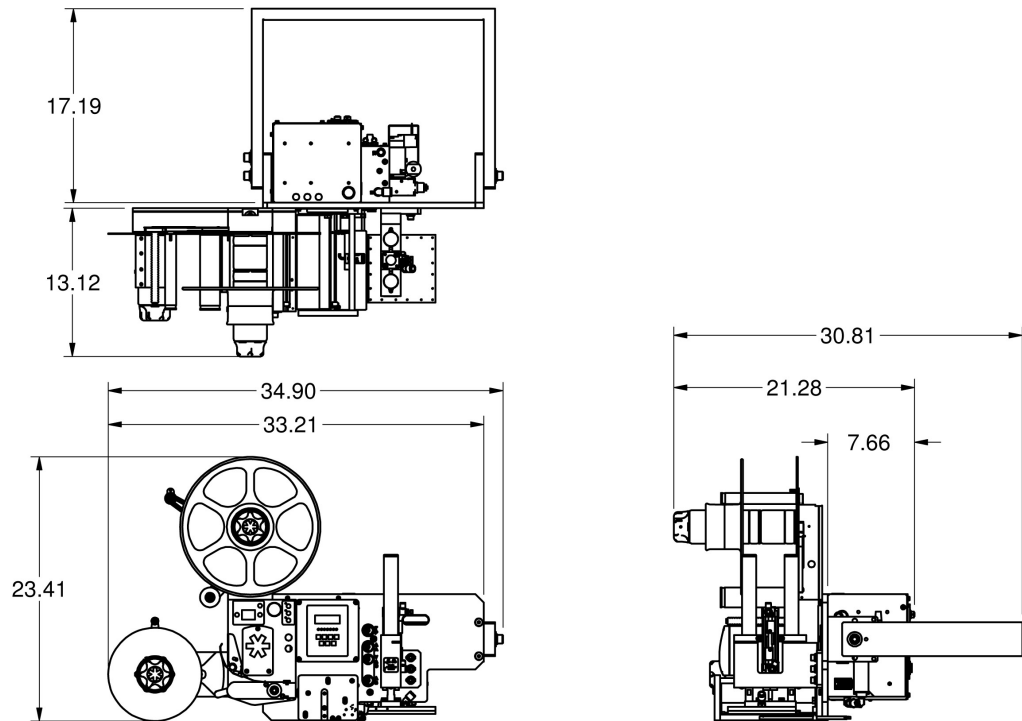
Clearly-defined display panel facilitates adjustments to operational parameters; provides 30 preset functions

HERMA H400

Tamp-Blow Label Applicator

Tamp-Blow

General Specifications

**Height**

23.40"

Length

34.90"

Width

30.81"

Motor(s)

Servo-driven

Electrical

Universal 100-240VAC, 50-60Hz

Weight

Standard Unit: Approx 80 lbs.
(Up to 170 lbs. with U-arm and 12" roll of labels)

Air Requirements

3 cfm @ 90 psi

Product Sensing

Photoelectric

Label Sizes

Up to 6" wide x 6" long

Tamp-Pad Sizes

4" x 4", 4" x 6", 6" x 4" and 6" x 6"

Labeling Speeds

Up to 1230 inches of label web per minute

Accuracy

±0.03" (.8mm) when product handling is controlled

Duty Cycle

24/7, 50 weeks